



## PRODUCT CATALOGUE

# MODULAR HOUSES



# INTRODUCTION

We are particularly proud of our Modular House which can be customised for several occasions whether as...



MODERN SAUNA HOUSE



HOME OFFICE



GARDEN HOUSE

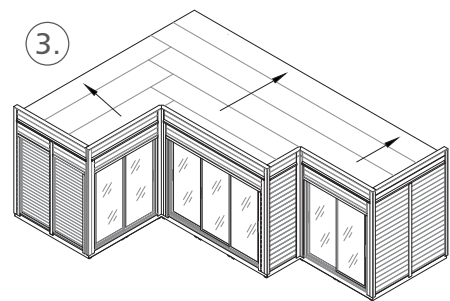
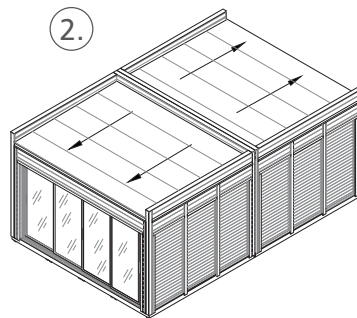
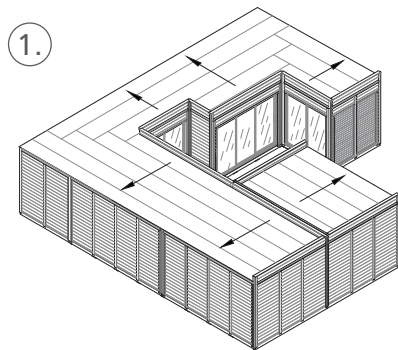


OUTDOOR LIVING ROOM

countless variants are available to your customer

The connection between two houses such as the 3x3 and 4x3 can be done without big effort. We offer sliding doors up to 4 m, floor-ceiling windows, wood panelling and showcases with and wooden blinds.

## MODULAR HOUSE POSSIBILITIES



## VISUALIZATIONS

Personalise your modular house according to your ideas.



# Model 2x2 m



**External dimensions:** 2452 x 2452 x 3180 mm



**Inside area:** 4,67 m<sup>2</sup>



**Timber:** pinewood



**Roof thickness:** 180 mm



**Roof finishing:** bituminous roofing membrane



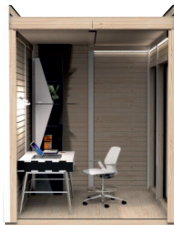
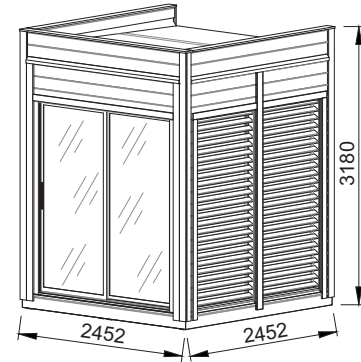
**Wall thickness:** 145 mm



**Floor thickness:** 178 mm



**Stone wool insulation:** 100 mm



## Standard Set

- Roof
- Floor
- 2m aluminium sliding door
- 2 Showcase windows
- 4 Insulated full panel walls
- Parapets
- Outside finishing boards
- Inside finishing boards



## Sauna Standard Set

- Roof
- Floor
- Single leaf door with tempered tinted glass
- 6 insulated full panel walls
- 1 tempered showcase window with wooden blinds
- Straight benches inside the sauna room
- Heat-resistant plates for heater/stove
- Parapets
- Outside finishing boards
- Inside finishing boards

# Model 2x3 m



**External dimensions:** 3547 x 2452 x 3180 mm



**Inside area:** 7,04 m<sup>2</sup>



**Timber:** pinewood



**Roof thickness:** 180 mm



**Roof finishing:** bituminous roofing membrane



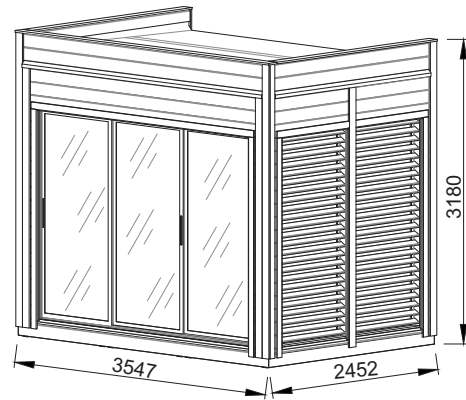
**Wall thickness:** 145 mm



**Floor thickness:** 178 mm



**Stone wool insulation:** 100 mm



## Standard Set

- Roof
- Floor
- 3m aluminium sliding door
- 2 Showcase windows
- 5 Insulated full panel walls
- Parapets
- Outside finishing boards
- Inside finishing boards



## Sauna Standard Set

- Roof
- Floor
- Single leaf door
- 8 insulated full panel walls
- 1 showcase window with wooden blinds
- Inside wall with tempered and tinted glass door
- Straight benches inside the sauna room
- Heat-resistant plates for heater/stove
- Parapets
- Outside finishing boards
- Inside finishing boards

# Model 2x4 m



**External dimensions:** 4642 x 2452 x 3180 mm



**Inside area:** 9,41 m<sup>2</sup>



**Timber:** pinewood



**Roof thickness:** 180 mm



**Roof finishing:** bituminous roofing membrane



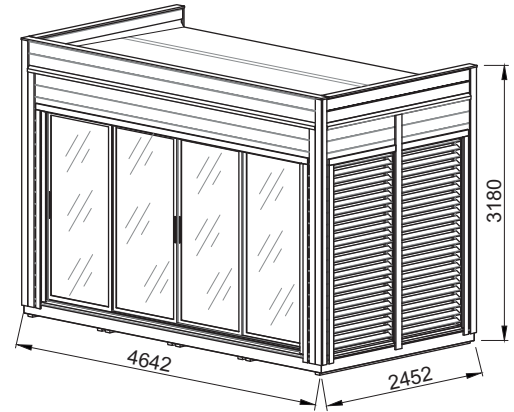
**Wall thickness:** 145 mm



**Floor thickness:** 178 mm



**Stone wool insulation:** 100 mm



## Standard Set

- Roof
- Floor
- 4m aluminium sliding door
- 2 Showcase windows
- 6 Insulated full panel walls
- Parapets
- Outside finishing boards
- Inside finishing boards

## Sauna Standard Set

- Roof
- Floor
- 2 m aluminium sliding door
- 8 insulated full panel walls
- 2 showcase windows with wooden blinds
- Inside wall with tempered and tinted glass door
- Straight benches inside the sauna room
- Heat-resistant plates for heater/stove
- Parapets
- Outside finishing boards
- Inside finishing boards

# Model 3x2 m



**External dimensions:** 3547 x 2452 x 3180 mm



**Inside area:** 7,04 m<sup>2</sup>



**Timber:** pinewood



**Roof thickness:** 180 mm



**Roof finishing:** bituminous roofing membrane



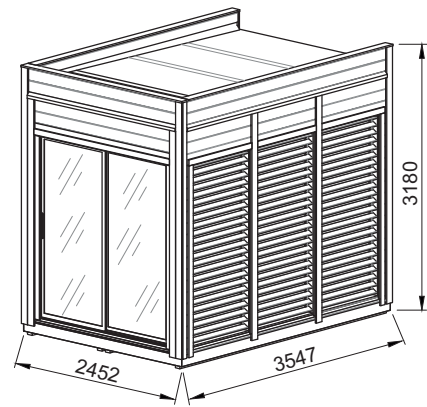
**Wall thickness:** 145 mm



**Floor thickness:** 178 mm



**Stone wool insulation:** 100 mm



## Standard Set

- Roof
- Floor
- 2m aluminium sliding door
- 3 Showcase windows
- 5 Insulated full panel walls
- Parapets
- Outside finishing boards
- Inside finishing boards



## Sauna Standard Set

- Roof
- Floor
- Single leaf door
- 8 insulated full panel walls
- 1 showcase window with wooden blind
- Inside wall with tempered and tinted glass door
- Straight benches inside the sauna room
- Heat-resistant plates for heater/stove
- Parapets
- Outside finishing boards
- Inside finishing boards

# Model 3x3 m



**External dimensions:** 3547 x 3547 x 3180 mm



**Inside area:** 10,6 m<sup>2</sup>



**Timber:** pinewood



**Roof thickness:** 180 mm



**Roof finishing:** bituminous roofing membrane



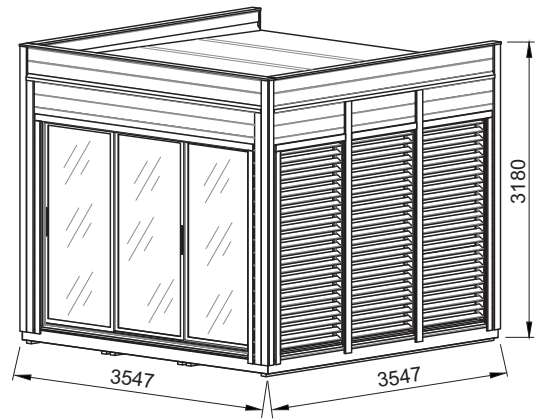
**Wall thickness:** 145 mm



**Floor thickness:** 178 mm



**Stone wool insulation:** 100 mm



## Standard Set

- Roof
- Floor
- 3m aluminium sliding door
- 3 Showcase windows
- 6 Insulated full panel walls
- Parapets
- Outside finishing boards
- Inside finishing boards



## Sauna Standard Set

- Roof
- Floor
- 2 m aluminium sliding door
- 9 insulated full panel walls
- 1 showcase window with wooden blind
- Inside wall with tempered and tinted glass door
- Straight benches inside the sauna room
- Heat-resistant plates for heater/stove
- Parapets
- Outside finishing boards
- Inside finishing boards

# Model 3x4 m



**External dimensions:** 4642 x 3547 x 3180 mm



**Inside area:** 14,17 m<sup>2</sup>



**Timber:** pinewood



**Roof thickness:** 180 mm



**Roof finishing:** bituminous roofing membrane



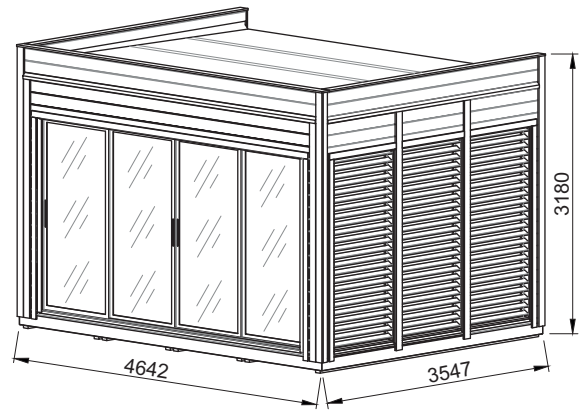
**Wall thickness:** 145 mm



**Floor thickness:** 178 mm



**Stone wool insulation:** 100 mm



## Standard Set

- Roof
- Floor
- 4m aluminium sliding door
- 3 Showcase windows
- 7 Insulated full panel walls
- Parapets
- Outside finishing boards
- Inside finishing boards

## Sauna Standard Set

- Roof
- Floor
- 2 m aluminium sliding door
- 9 Insulated full panel walls
- 3 Showcase windows with wooden blinds
- Inside wall with tempered and tinted glass door
- Straight benches inside the sauna room
- Heat-resistant plates for heater/stove
- Parapets
- Outside finishing boards
- Inside finishing boards

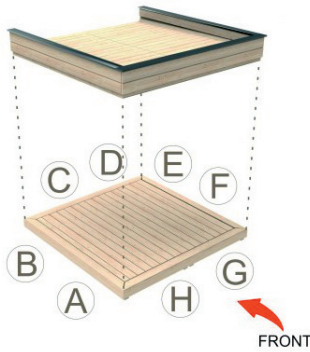


# TOP BASIS / BOTTOM BASIS | DESIGN YOUR OWN HOUSE

Select a panel type for each letter indicated in the plan and design your own modular house.

Wall panel size: 1095x2650 mm

## 2x2 m

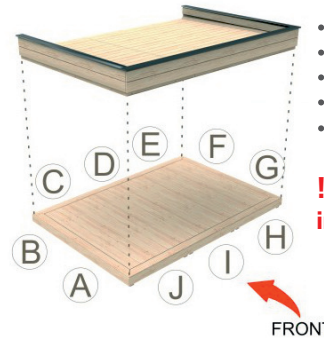


### Standard Set

- Floor frame (side, middle)
- Flooring boards
- Roof panel (side, middle)
- Roof parapet (front, left, right)
- Finishing boards (inside, outside)

**! Sliding system available in the front and back**

## 2x3 m



### Standard Set

- Floor frame (side, middle)
- Flooring boards
- Roof panel (side, middle)
- Roof parapet (front, left, right)
- Finishing boards (inside, outside)

**! Sliding system available in the front and back**

## 2x4 m

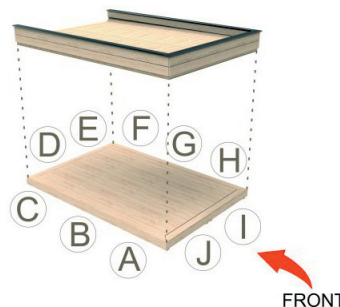


### Standard Set

- Floor frame (side, middle)
- Flooring boards
- Roof panel (side, middle)
- Roof parapet (front, left, right)
- Finishing boards (inside, outside)

**! Sliding system available in the front and back**

## 3x2 m

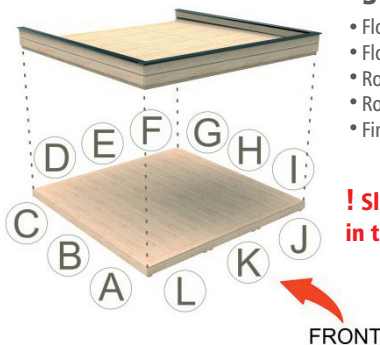


### Standard Set

- Floor frame (side, middle)
- Flooring boards
- Roof panel (side, middle)
- Roof parapet (front, left, right)
- Finishing boards (inside, outside)

**! Sliding system available in the front and back**

## 3x3 m

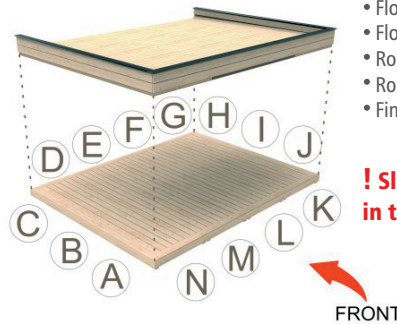


### Standard Set

- Floor frame (side, middle)
- Flooring boards
- Roof panel (side, middle)
- Roof parapet (front, left, right)
- Finishing boards (inside, outside)

**! Sliding system available in the front and back**

## 3x4 m



### Standard Set

- Floor frame (side, middle)
- Flooring boards
- Roof panel (side, middle)
- Roof parapet (front, left, right)
- Finishing boards (inside, outside)

**! Sliding system available in the front and back**

# BUILDING MODULAR HOUSE FROM PREFABRICATED WALL PANELS



## Outside wall panel

- Panel size: 1095 x 2650 mm
- Frame construction built from: 45 x 95 mm pinewood boards
- Stone wool insulation: 100 mm
- Panel thickness: 145 mm
- Pinewood cladding from inside: 14 x 96 mm
- Pinewood cladding from outside: 18 x 145 mm

### IN SAUNA ROOM:

- Black alder or linden cladding from inside: 14 x 80 mm
- Pinewood cladding from outside: 18 x 145 mm



## Showcase window

- Panel size: 1095 x 2650 mm
- Window frame: pine-wood or aluminum
- Window frame width: 40 mm
- Window size: 1000 x 2200 mm
- Window type: double glazed 4-8-4 mm

### IN SAUNA ROOM:

- Window type: tempered double-glazed 4-8-4 mm



## Showcase window with fixed sunscreen wooden blinds

- Panel size: 1095 x 2650 mm
- Window frame: pine-wood or aluminum
- Window size: 1000 x 2200 mm
- Window frame width: 40 mm
- Window type: double glazed 4-8-4 mm
- Blinds frame size: 1000 x 2200 mm
- Blinds frame built from: 18 x 84 mm pinewood
- Blinds made of: 18 x 50 mm horizontal pinewood strips

### IN SAUNA ROOM:

- Window type: tempered double-glazed 4-8-4 mm



## Small wooden window

- Panel size: 1095 x 2650 mm
- Window size: 900 x 700 mm
- Glass block type: 4-16-4 mm
- Turn-tilt window
- Glued-finger-jointed beams
- Fittings - ROTO (Denmark), compliane with CE



## Sliding door system

- Frame type: aluminum (color anthracite)
- Frame profile width: 60 mm
- Glass type: double glazed 4-8-4 mm
- 2 parts: 2000 x 2200 mm
- 3 parts: 3000 x 2200 mm
- 4 parts: 4000 x 2200 mm

# BUILDING MODULAR HOUSE FROM PREFABRICATED WALL PANELS



## Outside wooden door with glass

- Panel size: 1095 x 2650 mm
- Door size: 1000 x 2200 mm
- Door made of: glued finger-jointed pinewood
- Side opening: right or left
- Glass size: 740 x 1170 mm
- Glass type: double glazed 4-16-4 mm, can be chosen without wooden dividers



## Outside glass door

- Panel size: 1095 x 2650 mm
- Door frame size: 1000 x 2200 mm
- Side opening: right or left
- Glass type: double glazed 4-16-4 mm



## Inside wall panel

- Panel size: 1080 x 2600 mm
- Frame construction built from: 45 x 95 mm pinewood boards
- Stone wool insulation: 50 mm
- Panel thickness: 73 mm
- Pinewood cladding: 14 x 96 mm



## Inside sauna glass door

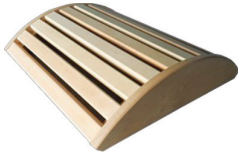
- Panel size: 1080 x 2600 mm
- Door frame size: 680 x 1800 mm
- Door frame type: wood
- Side opening: right or left
- Glass thickness: tempered, tinted, 8 mm
- Handle: wooden



## Inside wooden door

- Panel size: 1080 x 2600 mm
- Door size: 680 x 1800 mm
- Door made of: glued finger-jointed pinewood
- Side opening: right or left

# SAUNA ACCESSORIES



## Head rest

Comfortable head rest made from alder for relaxing in the sauna. 1 pc.



## Thermometer-hygrometer

Thermo-hygrometer (made from aspen, glazed scales). Combining a thermometer with a hygrometer is very useful, as one can calculate the optimum balance between heat and humidity for your perfect sauna experience.



## Back rest

Back rest made from black alder or linden ensures comfortable sitting in the sauna. 1 pc.



## Clothes Hanger

Perfect solution for hanging towels and clothes in the changing room.



## Wooden Bucket

Wooden bucket with plastic inner part, which makes cleaning easy.



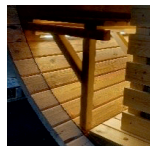
## Wooden Ladle

Made from impregnated wood the ladle is to be used for sprinkling water on the stones.



## Sauna Lamp Cover

Nice sauna light cover made from alder. Can be mounted on a wall or in a corner.



## LED light

LED strip in the sauna - 24V 9.6W / m hermetic IP67. D-shaped. Warm white 3000K 100lm / W. PLUS ACT  
In other areas – D-shaped LED strip 24V 9.6W / m non-hermetic IP20. Warm white 3000K 100lm / W. PLUS ACT



## Sauna Lamp

Heat and moisture-resistant sauna lamp with plastic base and a glass cover. Can be mounted on a wall or in a corner.



## Safety Fence for Wood Burning Stoves

Made from alder wood, safety fence protects from burns.



## Water Tank of 24 Liters for Wood Burning Stoves

Stainless steel pipe model water heater is placed directly on top of the stove, and the tank holds 24 liters of water. The water heats up quickly, as the smoke pipe runs through the tank and acts as a wall inside it.



## Heater Safety Fence for Electric Heaters

Made from alder wood, safety fence protects from burns.

# SAUNA HEATERS AND WOOD BURNING STOVES



Electric heater Harvia Trendi KIP60, 6kW 400V 3N

The KIP is a traditional wall-mounted heater with a built-in control panel. The large stone space provides optimal heat release. The recommended size of the sauna room is 8–14 m<sup>3</sup>. Stones, heat resistant plates, three-phase wall mounted plug with outside socket and wires are included in the set.

Electric heater Harvia Trendi KIP80, 8kW 400V 3N

Electric heater Harvia Trendi KIP90, 9kW 400V 3N



The floor-mounted Club electric heaters are of the world-famous Harvia quality. They are completely made of stainless steel and provide the power and durability required for heavy-duty use. The Club heaters are controlled by a separate control unit Harvia Xenio CX170. The recommended size of the sauna room is 11–20 m<sup>3</sup>. Stones, heat resistant plates, three-phase wall mounted plug with outside socket and wires are included in the set. If chosen with control unit installation, please add 100 EUR. **Also it can be with Harvia Xenio WiFi - control units with a touch control panel.**

Electric heater Harvia Club, 11kW 400V 3N

Electric heater Harvia Club, 13,5kW 400V 3N

Electric heater Harvia Club, 15kW 400V 3N



Wood burning stove Harvia M3, 16,5kW

A stylish stove for smaller saunas. The Harvia M3 has a classic design and is suitable for smaller, wood burning saunas. The recommended size of the sauna room is 6–13 m<sup>3</sup>. Standard stainless steel chimney, stones and heat resistant plates are included in the set.



Wood burning stove Harvia M3 SL, 16,5kW (outside firewood feeding)

The SL model are designed for people who want to conveniently heat their sauna from another room or outside the sauna. Standard stainless steel chimney, stones and heat resistant plates are included in the set.



Wood burning stove Harvia Pro 20, 24,1kW

Harvia Pro 20 and Harvia Pro 20 SL gives a good hot bath in medium-sized saunas. It has a big stone space and an air-flow spoiler made of stainless steel. The recommended size of the sauna room is 8–20 m<sup>3</sup>. Standard stainless steel chimney, stones and heat resistant plates are included in the set.



Wood burning stove Harvia Pro 20 SL, 24,1W

Harvia Pro 20 and Harvia Pro 20 SL gives a good hot bath in medium-sized saunas. It has a big stone space and an air-flow spoiler made of stainless steel. The recommended size of the sauna room is 8–20 m<sup>3</sup>. Standard stainless steel chimney, stones and heat resistant plates are included in the set.



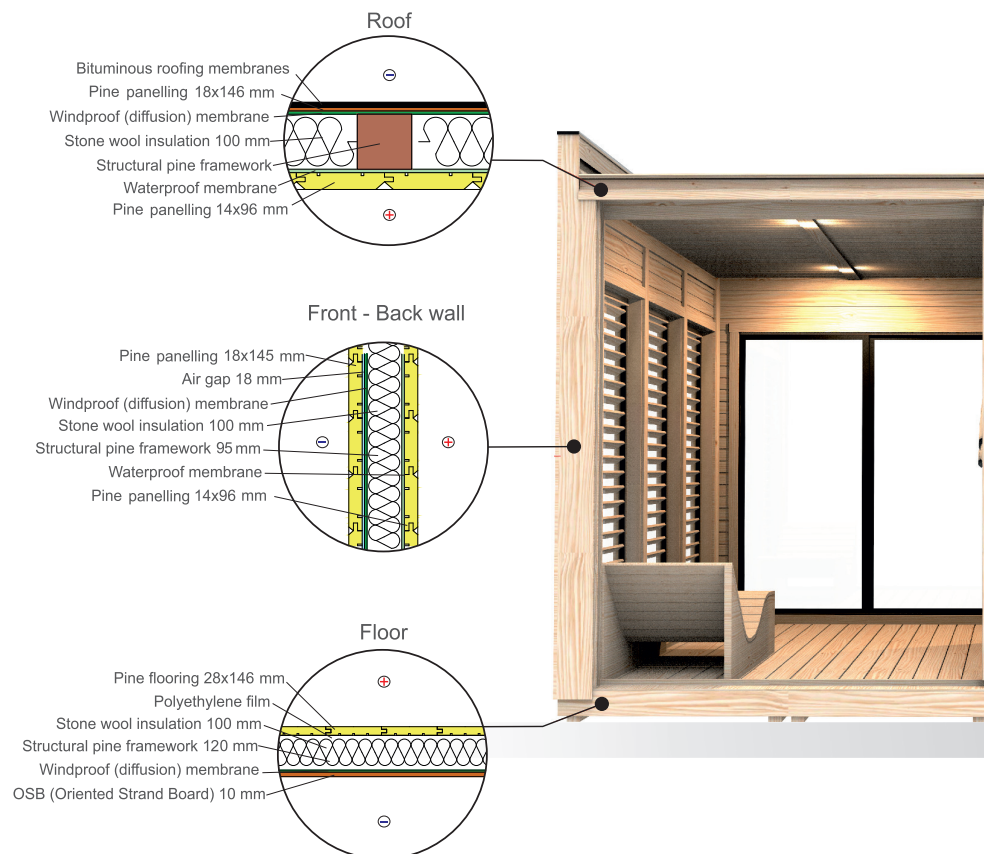
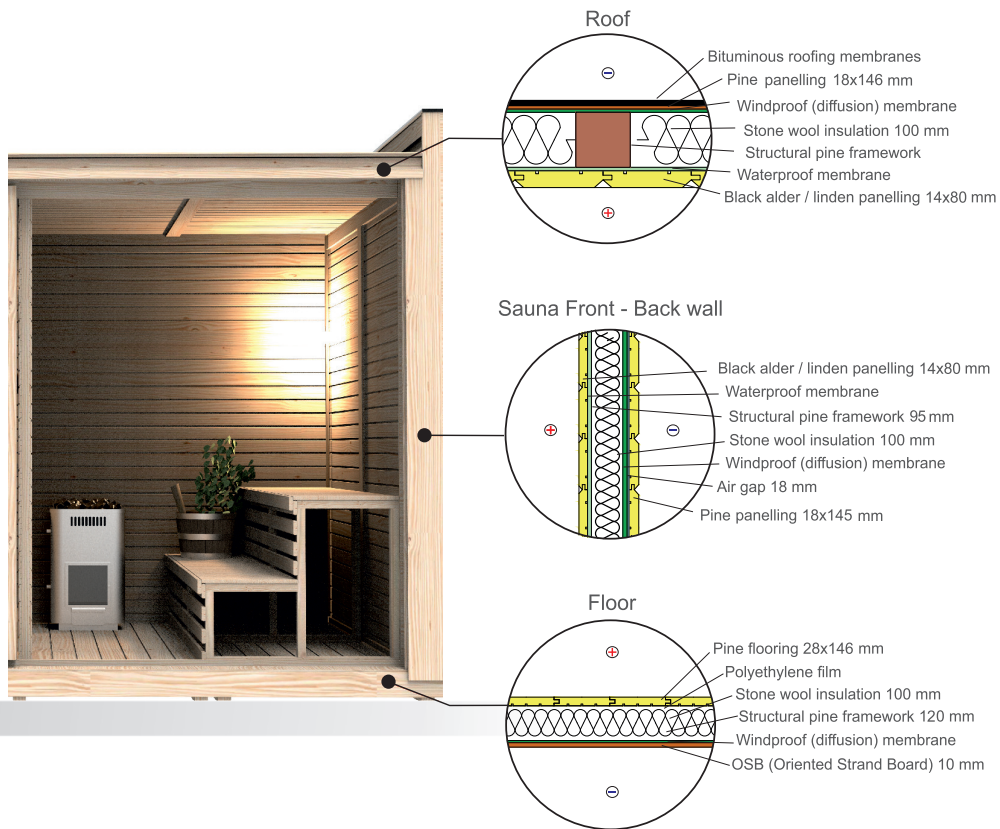
Electric heater Harvia Cilindro XE 7,0kW

Electric heater Harvia Cilindro XE 9,0kW

Electric heater Harvia Cilindro XE 10,8kW

Harvia Cilindro XE heaters are stylish electric heaters ideal for many needs. The pillar form factor offers freedom for sauna design, making the heater easy to embed into the bench or place in front of a glass wall. The glossy stainless steel exterior is a great addition to any sauna. Harvia Cilindro XE heater is controlled with separate digital Harvia Xenio control panel. The recommended size of the sauna room is 6–18 m<sup>3</sup>. Stones, heat resistant plates, three-phase wall mounted plug with outside socket and wires are included in the set. If chosen with control unit installation, please add 100 EUR. **Also it can be included with Harvia Xenio WiFi - control units with a touch control panel.**

# MODULAR HOUSE STRUCTURE



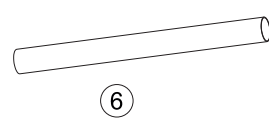
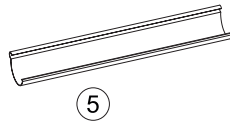
# MODULAR HOUSE RAIN SYSTEM

The rain pipe package includes all necessary parts and components for installation. All parts are optimally packed to take up as little space as possible and at the same time to protect them from transport damage. The transport and installation are safe, thanks to our Wood Professional system.

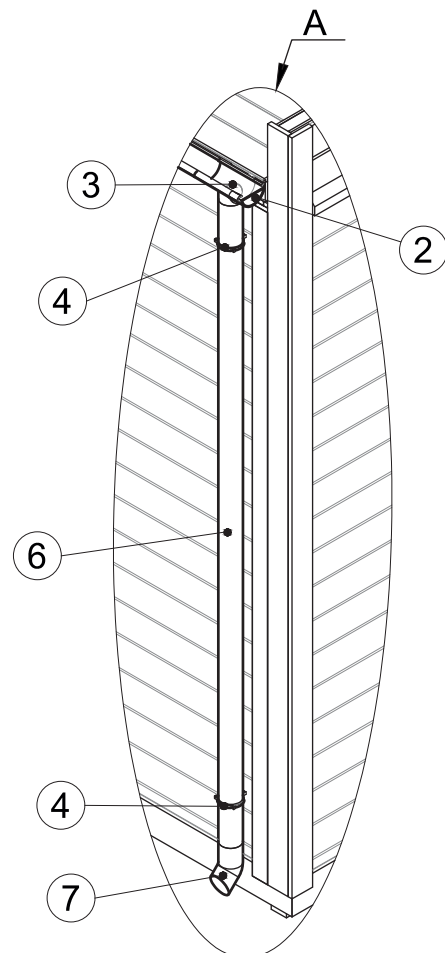
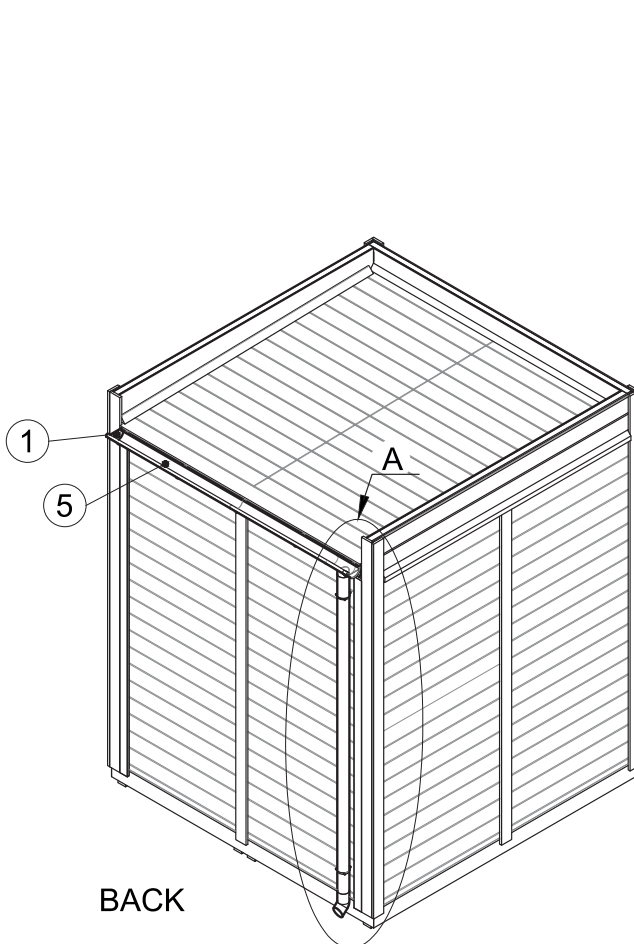
Modular House 2x2 m / 3x2 m –  
rain system package



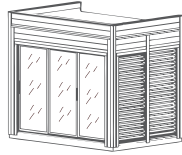
Modular House 2x3 m / 3x3 m –  
rain system package



Modular House 2x4 m / 3x4 m –  
rain system package



# PINEWOOD BENEFITS



The modern modular house is produced from renewable European pines, which are among the most commercially important tree species valued for their timber qualities throughout the world.



Pinewood is light with regular texture, appreciated for its pleasant smell and properties. It is denser, resinous and therefore more durable than spruce. Pinewood is widely used in the construction and furniture industries.



For MODULAR HOUSE only the best quality of pinewood is being used. The most modern log X-ray and automatic grading technology selects the best raw material. Supplied pinewood is accurately sawn, kilned and graded according to wood features.



storaenso

The certified wood is being supplied from worldwide well known wood producer Storaenso.





